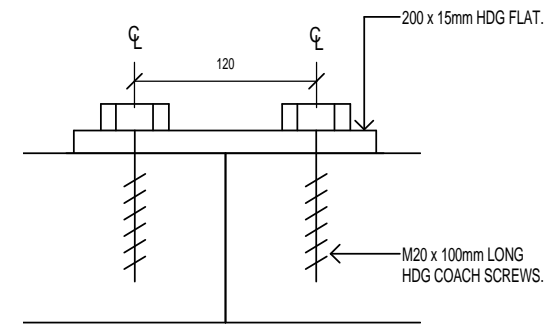
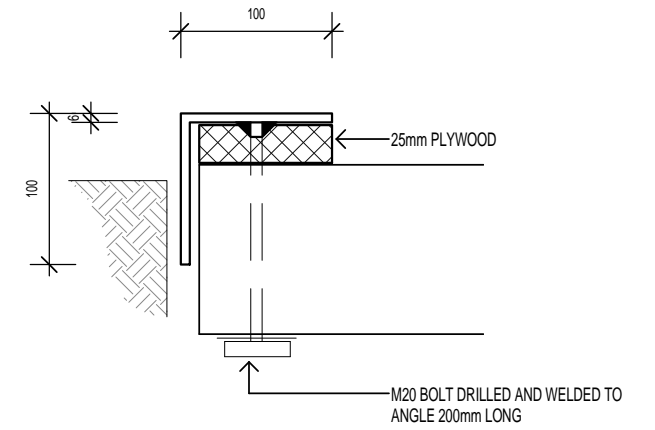


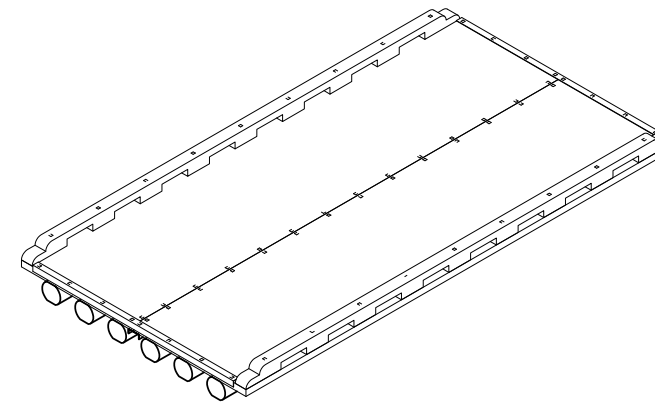
2 SECTION
SCALE 1 : 20



5 DETAIL
SCALE 1 : 5



6 DURAGAL ANGLE
SCALE 1 : 5



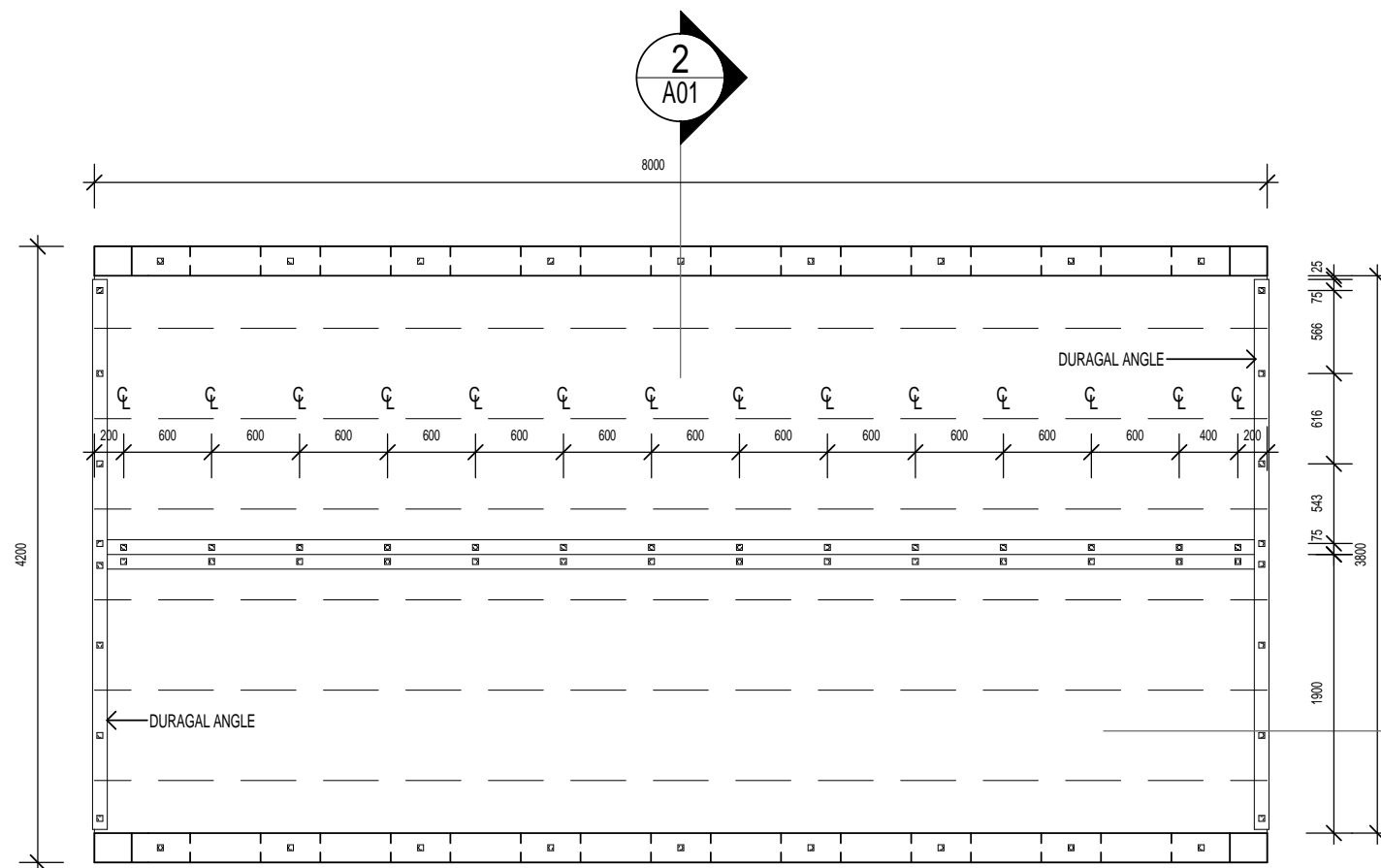
4 ISOMETRIC VIEW
SCALE

NOTES:

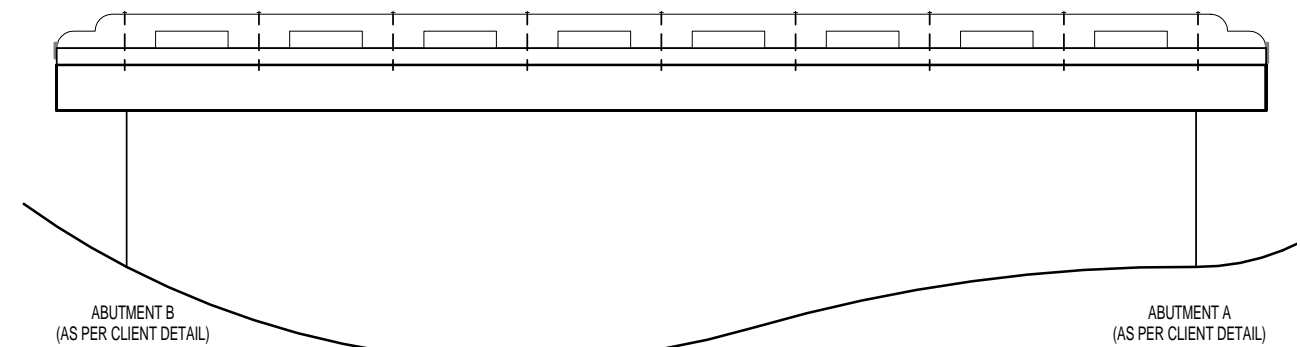
1. ALL PILING AS PER CLIENT DETAIL
2. ABUTMENTS AS PER CLIENT DETAIL
3. ALL FASTNERS HOT DIP GALVANISED
4. ALL HEADSTOCKS AS PER CLIENT DETAIL
5. TIE DOWN BOLTS FOR MODULE TO HEADSTOCK M25 WITH 100x100x10 WASHERS
6. ALL ENDS PROTECTED WITH HOT DIP GALVANISING 100x100x6 UA
7. ELASTOMERIC BEARING PADS TO BE USED BETWEEN GIRDER ABUTMENTS/HEADSTOCKS

SPAN TABLE

SPAN	DEPTH DECK DIMENSION 'X' (mm)	DEPTH GIRDER DIMENSION 'Y' (mm)
< 6	112	300
7	112	300
8	112	300
9	135	416
10	135	416



1 PLAN VIEW
SCALE 1 : 50



3 ELEVATION
SCALE 1 : 50

COPYRIGHT

NOT TO BE REPRODUCED WITHOUT PERMISSION OF PNG FOREST PRODUCTS LTD
The Builder/Contractor shall verify job dimensions prior to any work commencing.
Figured dimensions shall take precedence over scaled work.

NORTH POINT

REVISION	DESCRIPTION
2	REVISED DESIGN
3	REVISED DESIGN
4	ISSUED FOR INFORMATION
5	ISSUED FOR INFORMATION
6	ISSUED FOR INFORMATION
7	ISSUED FOR INFORMATION

DATE
31/10/2013
04/02/2014
05/06/2014
16/06/2014
25/06/2014
28/04/2015

PROJECT

STANDARD SINGULAR LANE MODULAR BRIDGE

DRAWING NAME

PLAN, ELEVATION & SECTION

DATE SCALE SHEET SIZE

As indicated @ A3

DRAWN CHECKED APPROVED

OL PR PR

PROJECT N.O SHEET NUMBER REVISION

- A01 7

PNGFP BUILDING SYSTEMS

PO BOX 88, BULOLO, MP, PNG
PHONE: 474-5211
FAX: 474-5160
EMAIL: BUILDINGSALES@PNGFP.COM

